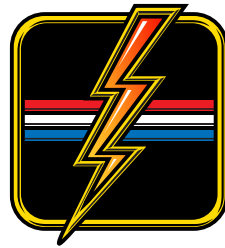


100% MADE IN U.S.A.!



American Autowire

150 Heller Pl #17 W Bellmawr, NJ 08031
800-482-9473

INSTALLATION INSTRUCTIONS

This wiring kit is designed for ease of installation. Please read the guidelines below, BEFORE STARTING your installation, to guarantee a successful job!

STEP 1: DISCONNECT YOUR BATTERY:

Disconnect the battery before installing the wiring kit to prevent any accidental shorting caused by loose bare wire ends.

STEP 2: MOUNT YOUR PANEL:

It is recommended that you mount your panel under the dash, in the kick panel, or under the front seat.

STEP 3: START INSTALLING KIT:

This kit is broken down into individual steps that are identified by a letter printed on the instruction sheets visible through each bag. These letters are the order of operation for installing your. Start with the bag letter "A", then "B", etc. The order of installation is shown below.

A	500941	Ignition Switch and Starter Wiring Kit
B	500938	Alternator Connection Kit
C	500943	Headlight / Accessory Switch Kit
D	500942	Steering Column / Turn Signal Connection Kit
E	500939	Gauge Connection Kit (Sending Unit Side)
F	500940	Accessory Wire Kit

STEP 4: RECONNECT YOUR BATTERY:

When you have completed the installation and are ready to reconnect the battery, make sure that the following electrical system grounds are in place:

- A. Battery is grounded to the ENGINE BLOCK.
- B. Battery is grounded to the frame.
- C. Engine block is grounded to the frame.
- D. Body is grounded to the frame.

STEP 5: CHECK ALL ELECTRICAL FUNCTIONS:

Any non-functioning items should be checked for proper installation. Any problems with your wiring and electrical circuit functions should be addressed to American Autowire Systems, Inc. as soon as possible to avoid any warranty problems.

If you have any questions concerning this or any of our products, please feel free to call us at 1-800-482-WIRE.

"AMERICAN AUTOWIRE MAKES IT EASY!!"

We offer many accessories for your project! Feel free to call and ask for any electrical accessory. Shown below are just a few examples!



500544 - compact ground splice system



Many relay kits available
500479 - Universal relay kit
500448 - Waterproof relay kit



OEM crimping tools
500649 - Single crimp tool
500523 - Double crimp tool
500647 - Weather Pac crimp tool



Firewall Disconnects
500548 - 4 Wire
500564 - 6 Wire
500547 - 8 Wire
500566 - 9 Wire



Many brake switches available
500240 - Adjustable floor mount
500099 - Hydraulic pressure type
500097 - Pedal frame mount
500098 - Lever type floor / firewall mount



500081 - Courtesy lamp kit

Also available:

1. Turn signal, Headlight, ignition, Wiper, Door jamb and Heater switches
2. Battery disconnect switches
3. Battery cable kits
4. Battery junction boxes
5. LED lights and standard bulb lighting
6. Alternators and alternator adapter kits
7. Wire channeling
8. Vehicle grounding kits
9. Grommets, connectors, terminals, and more !

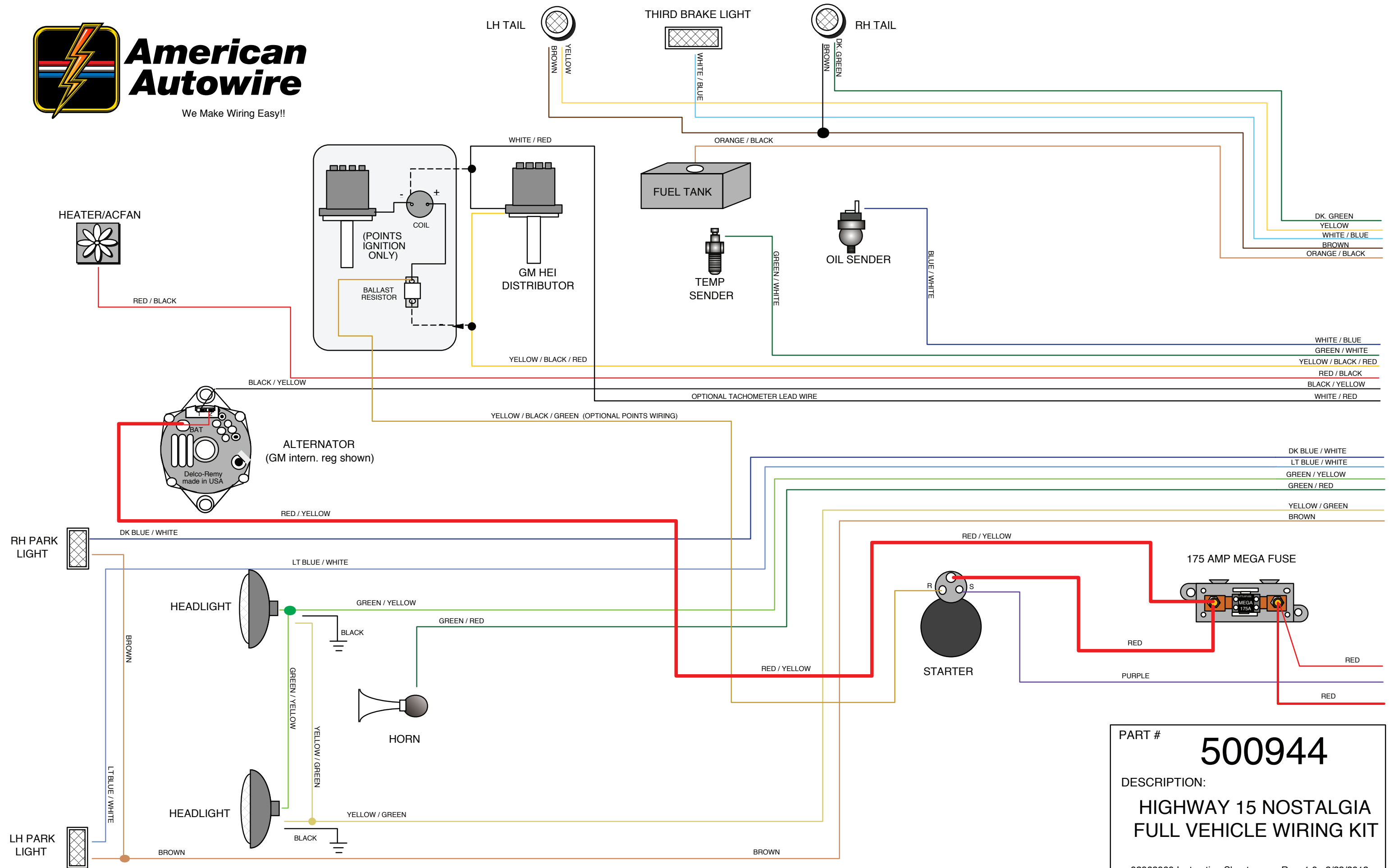
START HERE !!

PART #	500944
DESCRIPTION:	HIGHWAY 15 NOSTALGIA FULL VEHICLE WIRING KIT
92968060 Instruction Sheet	Rev 1.0 2/23/2012



American Autowire

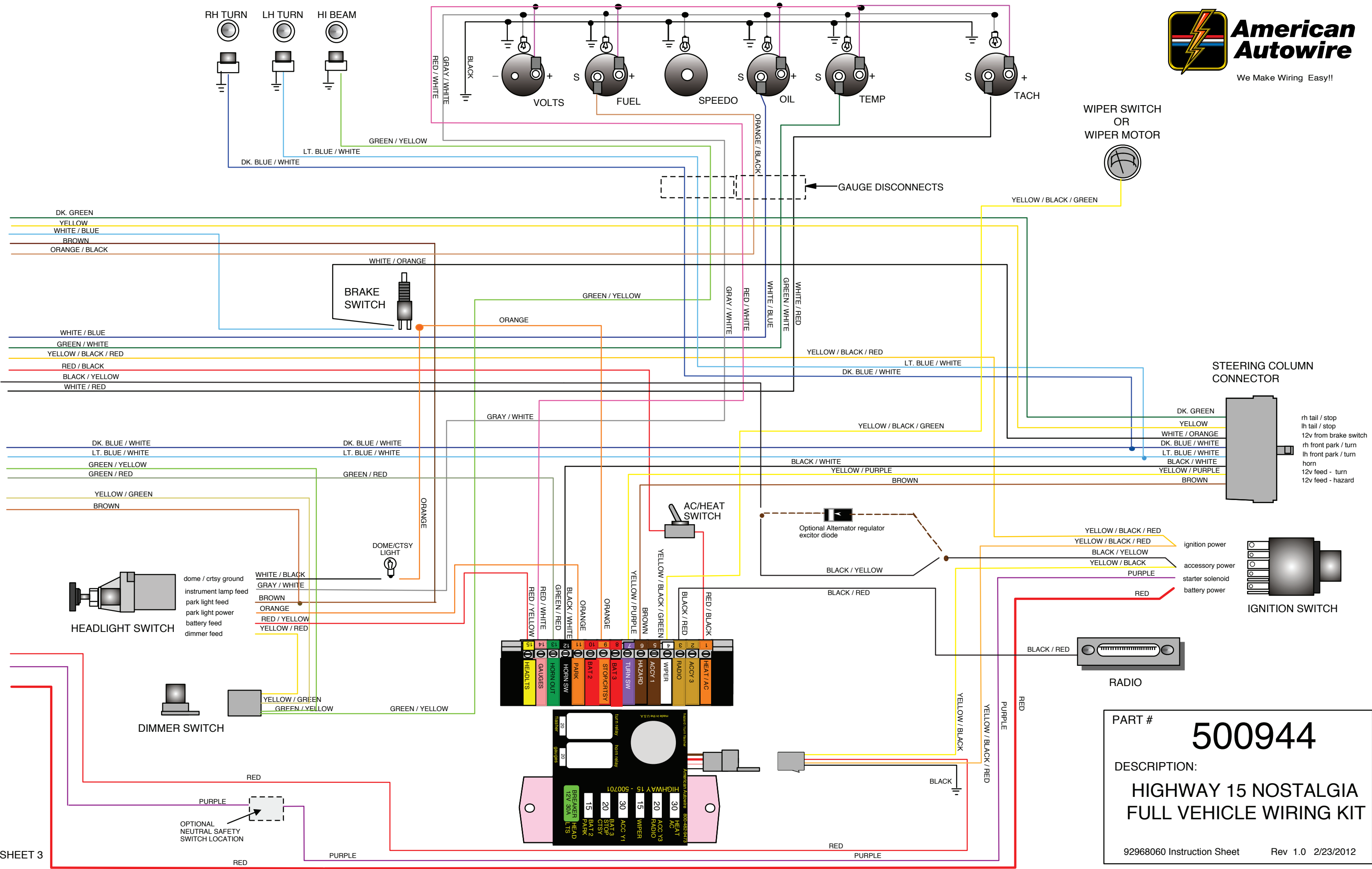
We Make Wiring Easy!!



PART # **500944**

DESCRIPTION:
**HIGHWAY 15 NOSTALGIA
 FULL VEHICLE WIRING KIT**

92968060 Instruction Sheet Rev 1.0 2/23/2012



PART #
500944

DESCRIPTION:
**HIGHWAY 15 NOSTALGIA
FULL VEHICLE WIRING KIT**

92968060 Instruction Sheet Rev 1.0 2/23/2012

This page intentionally left blank

PART #	500944
DESCRIPTION:	HIGHWAY 15 NOSTALGIA FULL VEHICLE WIRING KIT
92968060 Instruction Sheet	Rev 1.0 2/23/2012